



Acme Sanitary Ware Co Ltd

Acme Building, 22-28 Nanking Street, Kowloon, Hong Kong
Tel: 2388 7171 Fax: 2710 8012
E-mail: acme@acmesanitary.com.hk
Website: www.acmesanitaryware.com.hk



Pure Freude
an Wasser

PROJECT		REF		REV	ITEM CODE	
LOCATION		DATE			PAGE	

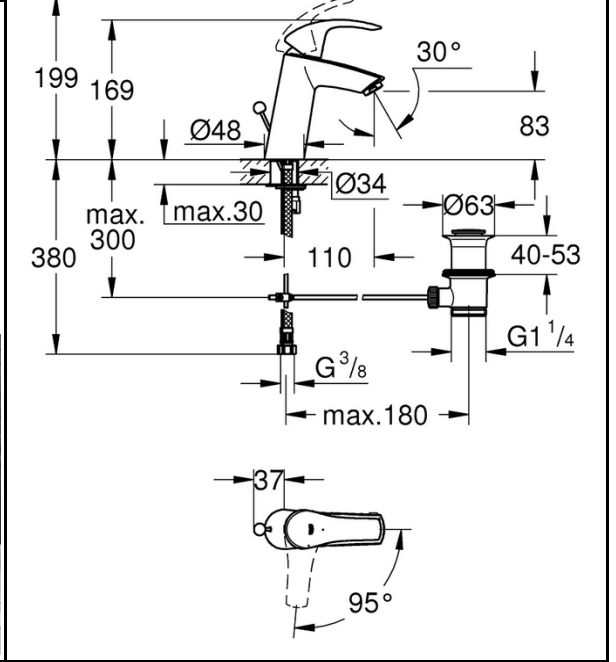
SANITARY WARE SPECIFICATION SHEET

Item Descriptions	GROHE (Germany) "Eurosmart" Chrome plated single lever basin mixer 1/2" M-size
Dimensions	L110 x W48 x H199 mm
Model	2339310E
Finish / Material	Chrome Plated
Country of origin	Thailand
Manufacturer	GROHE Limited
Supplier	Acme Sanitary Ware Co. Ltd Mr. Eric Wong/ Mr. Don Yuen
Contact Tel/Fax	(852) 2388-7171 / (852) 2710-8012
E-mail	acme@acmesanitary.com.hk
Website	www.acmesanitary.com.hk

Illustration/ Drawing

"Eurosmart"
Basin mixer 1/2" M-Size

- monobloc installation
- metal lever
- **GROHE SilkMove ES** 28 mm ceramic cartridge with energy saving function via cold start
- with temperature limiter
- **GROHE StarLight** chrome finish
- **GROHE EcoJoy** mousseur 5.7 l/min
- **GROHE FastFixation** rapid installation system
- pop-up waste set 1 1/4"
- flexible connection hoses



Note: [YouTube \(Grohe 2339310E\) https://www.youtube.com/watch?v=jUSquDIPMCM](https://www.youtube.com/watch?v=jUSquDIPMCM)

* All information of the above is for the reference only. No prior notice is made if any changes.



Acme Sanitary Ware Co Ltd

Acme Building, 22-28 Nanking Street, Kowloon, Hong Kong
Tel: 2388 7171 Fax: 2710 8012
E-mail: acme@acmesanitary.com.hk
Website: www.acmesanitaryware.com.hk



Pure Freude
an Wasser

PROJECT		REF		REV	ITEM CODE	
LOCATION		DATE			PAGE	

SANITARY WARE SPECIFICATION SHEET

GROHE EUROSMART

GROHE'S NUMBER 1 IN PREMIUM PERFORMANCE

For almost 2 decades, its legendary quality has made the GROHE's Eurosmart range the obvious choice for planners, architects and plumbers. Making it the number 1 worldwide with over 30 million sold. With its wide range of designs and functionalities, its long-lasting GROHE SilkMove Technology and German engineering know-how, Eurosmart is valued for every kind of project – bath, kitchen, commercial, large-scale or small. Eurosmart: always a first class choice since 1999.



GROHE SilkMove cartridge technology for smooth handling

This premium tap comes with a continuously variable water temperature and volume adjustment technology, ensuring effortless lever operation even after years of use.



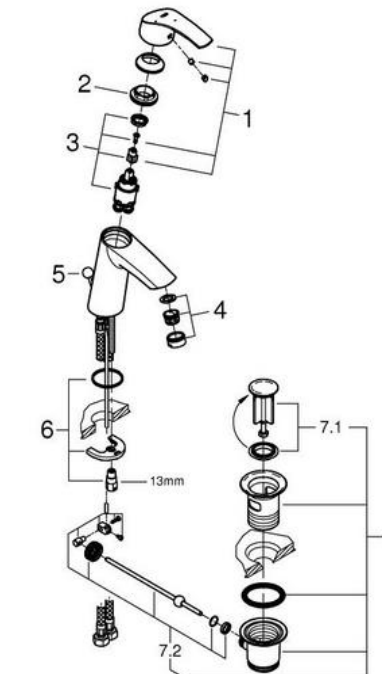
Easy to clean thanks to the GROHE StarLight chrome coating

Just wipe the tap down with a dry cloth – the ultra smooth surface finish is scratch resistant and ensures a lasting luminous sheen. You'll save plenty of time cleaning while your tap always looks shiny and new.



GROHE EcoJoy with water-saving function for reduced consumption

GROHE EcoJoy reduces water consumption by up to 50% without compromising on performance. Whenever you turn on your tap, you will enjoy a full jet of water while saving money nonetheless.



Medium-height spout
For accessibility and convenience

Pop-up action
Lets you open and close waste simply

EcoJoy technology
Reduces water consumption by up to 50%

Quick and easy installation



Pos.-nr.	Prod. description	Order-nr.
1	lever	46865000
2	Fitting ring	46715000
3	Cartridge	46580000
4	Mousseur	48159000
5	Pop-up rod	06329000
6	Shank fastening assembly	46249000
7	Waste set 1 1/4"	28910000
8	Mounting wrench	19017000*
9	Ball rod	07341000*

* Optional accessories

Note:

* All information of the above is for the reference only. No prior notice is made if any changes.